

Display E-mail & SMS messages at the Control Centre – BKW Energie AG

Challenges

BKW Energie AG has a large number of devices in the field that send an E-mail or SMS in the case of specific events. Today these events are sent to a dedicated person but our objective is for them to be displayed centrally in the BKW control centre..

In accordance with the received messages, all activities to be carried out can consequently be centrally managed by the control centre. It should also be possible to send messages from the control centre to a predefined destination. IF required, it should be possible to add new devices easily and flexibly.

The entire system must be designed with passive redundancy.



→ Elvexys' Solutions

Development of a new **E-mail and SMS module in XPG**

Customized XPG gateways with **ISOS** and **GSM** port

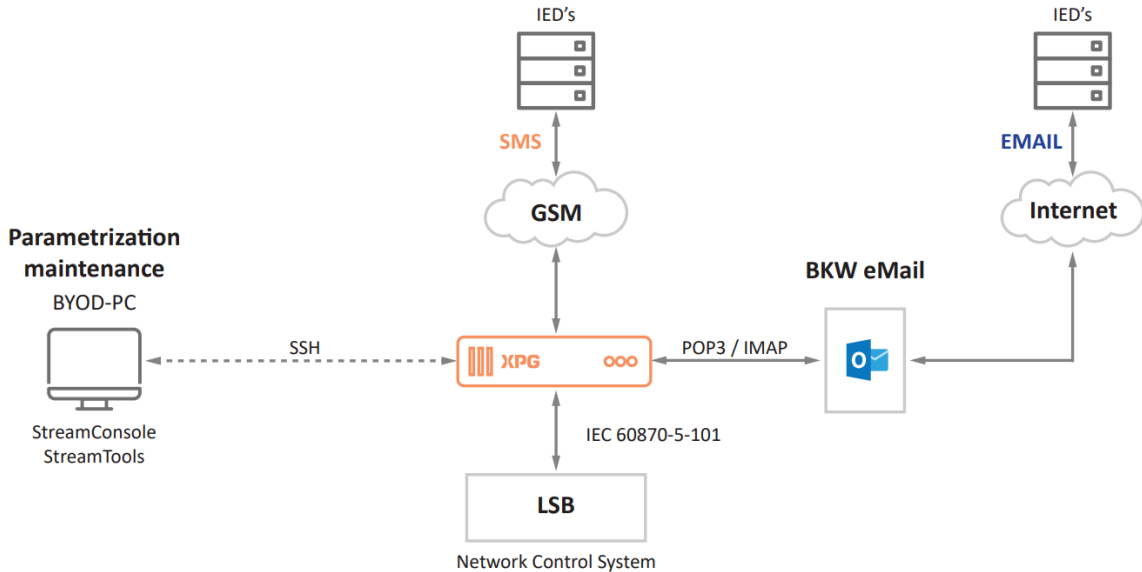
Personalized XPG training

Maintenance support

Why choose Elvexys?

- ✓ Customized solution according to the customer's requirements
- ✓ Centralised event management from the control centre
- ✓ Straightforward solution to display events in the control centre
- ✓ New devices can be very easily added by the customer

Schematic



Hardware & Software

XPG Gateways

XPG is a modular multi-protocol communication gateway that runs on ISOS (Industrial Secure Operating System), both engineered and designed by Elvexys. It is also a chosen hardware which is used for all communication applications, data processing and protocol conversion.

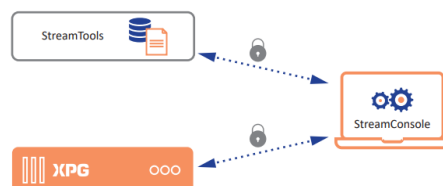
StreamTools

This engineering tool is deployed at Elvexys in accordance with a strict security policy, including secure access for users. StreamTools includes uniqueness, version management, locking and rights mechanisms to manage simultaneous user access.

StreamConsole

StreamConsole is a gateway management tool and the interface that empowers the user to configure the XPG gateway.

- Manage XPG Gateway
- Update configuration
- Update firmware
- Manage log files
- Start / stop services



Standards

- IEC 61850-5-101
- GPRS/UMTS/LTE
- POP3/IMAP